

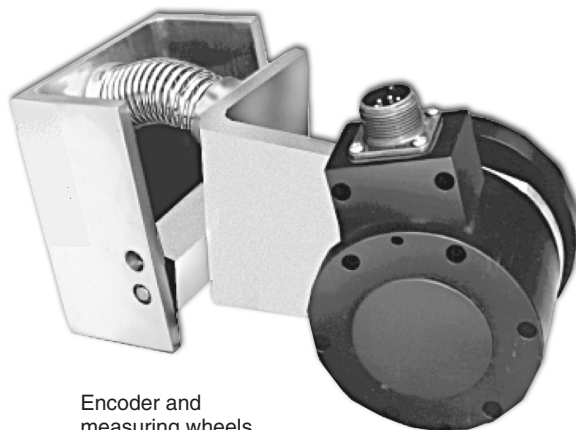
PIVOT MOUNT

Dynapar™ brand

Pivot Mounting Bracket

Key Features

- Complete Pre-assembled Mounting System with Hardware Included
- Single or Dual Wheel uses Same Mount
- Easy Machine Attachment
- Built-in Spring Tension for Accurate Tracking



Encoder and measuring wheels not included

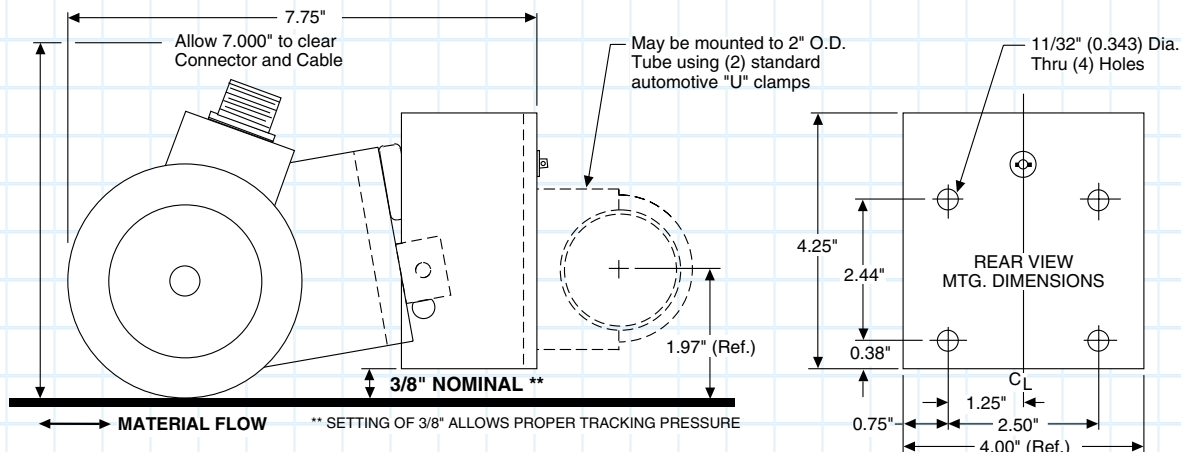
SPECIFICATIONS

ORDERING INFORMATION

The mounting bracket may be used with the listed series encoders having the specified mounting configurations.

Bracket Model No.	Description	Compatible Encoder Series	Mounting Configuration
14005740000	Pivot Mounting Bracket	HA25, HC25, HR25, HD25, Hazardous Series HD25, HE25, IE25, HA725, H42, AI25, AR62/63, R25, RF25	2.5" Square Flange
		60 Rotopulser	2.5" Servo Flange (A and C Housings Only)
		HA25, HC25, HR25, HE25, IE25, AI25, R25	2.5" Servo Flange

DIMENSIONS



Dynapar™ brand

PIVOT MOUNT



Worldwide Brands: NorthStar™ • Dynapar™ • Hengstler™ • Harowe™

DYNAPAR™
INNOVATION - CUSTOMIZATION - DELIVERY

WWW.DYNAPAR.COM

Headquarters: 1675 Delany Road • Gurnee, IL 60031-1282 • USA

Customer Service:

Tel.: +1.800.873.8731

Fax: +1.847.662.4150

custserv@dynapar.com

Technical Support

Tel.: +1.800.234.8731

Fax: +1.847.662.4150

northstar.techsupport@dynapar.com

European Sales Representative

Hengstler GmbH

Uhlandstrasse 49, 78554 Aldingen

Germany

www.hengstler.com